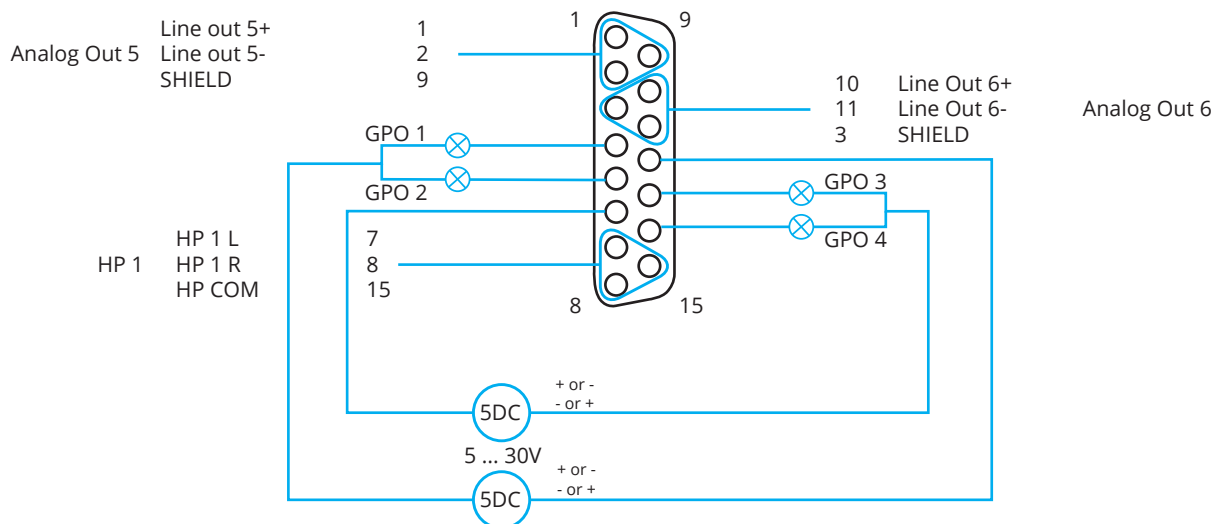
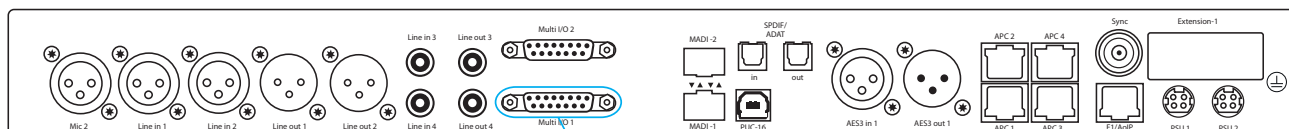




Intellimix Base Unit Pin Assignment

D-Sub 15 analog connector

Multi I/O 1



Notes:

GPI and GPO sections are isolated from each other and from the module's internal circuits.

GPI section uses common wire GPO_COM_1-2 for GPO 1 and GPO 2 and
GPO_COM_3-2 for GPO 3 and GPO 4

Polarity of DC between GPOS and GPO_COM is not relevant

GPO: maximum rated current: 0,2A (resettable fuse), maximum peak switched voltage:
30V AC or DC